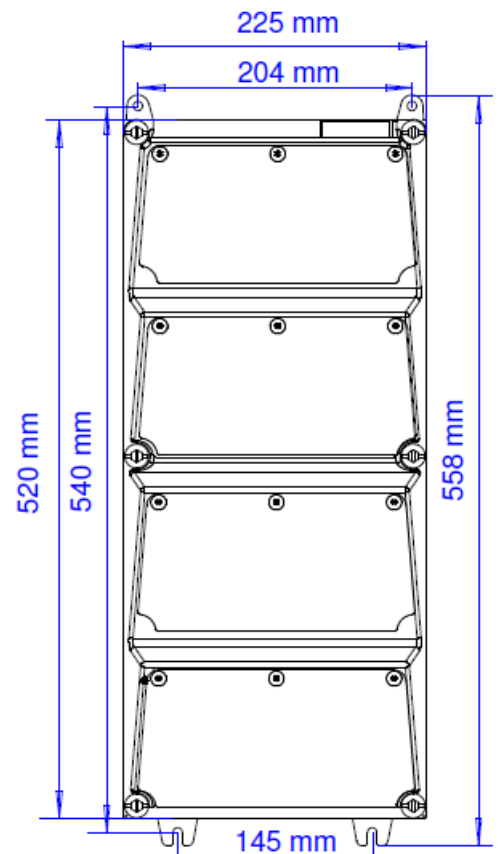


QUOTATION WORKSHEET

**COMPLETE FORM BELOW WITH YOUR REQUIRED DEVICES FOR EACH MODULE.
CHOOSE FROM LIST OR CONTACT US FOR A COMPLETE RANGE OF OPTIONS:**

- **Pin and Sleeve Receptacles** - 20A, 30A, 60A, in standard voltages for 3 Wire, 4 Wire & 5 Wire
- **Switched and Interlocked Pin and Sleeve Receptacles;** 20A, 30A for standard voltages and wire configurations
- **Disconnect Switches** – 20A, 30A, 40A or 60A without Auxiliary contacts
- **Convenience Outlets**
- **GFCI Outlets**
- **NEMA Locking Devices**
- **Breakers**
- **Fusing**
- **Blank Plate** (for your own customization)

Module 1 Requirement:
Module 2 Requirement:
Module 3 Requirement:
Module 4 Requirement:



Please note: Ampere rating and product type may require installation in specific module location. An AMAXX specialist will assist with final selection and design.
Please fax form to 973-882-5585 or email to info@MENNEKES.COM for a quotation or further information.