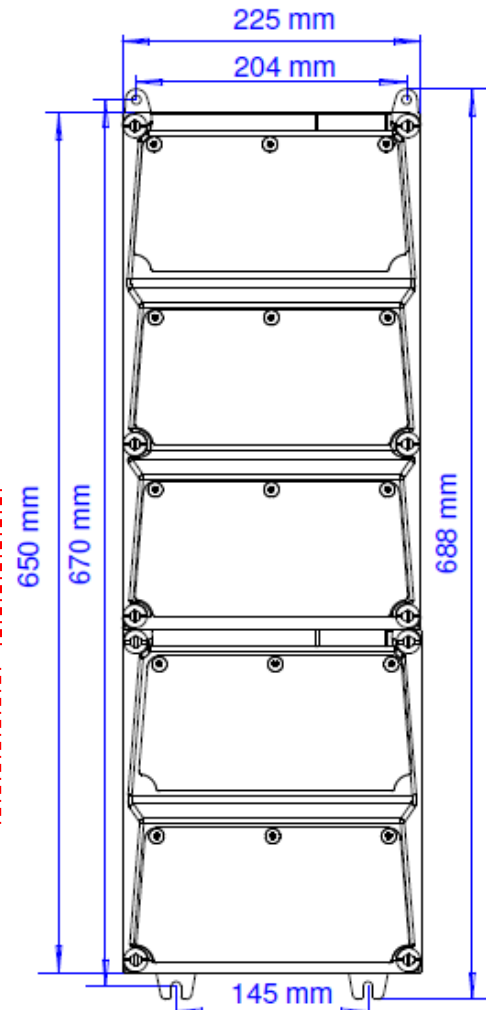


QUOTATION WORKSHEET

**COMPLETE FORM BELOW WITH YOUR REQUIRED DEVICES FOR EACH MODULE.
CHOOSE FROM LIST OR CONTACT US FOR A COMPLETE RANGE OF OPTIONS:**

- Pin and Sleeve Receptacles - 20A, 30A, 60A, in standard voltages for 3 Wire, 4 Wire & 5 Wire
- Switched and Interlocked Pin and Sleeve Receptacles; 20A, 30A and 60A for standard voltages and wire configurations
- Disconnect Switches – 20A, 30A, 40A or 60A with Auxiliary contacts
- Convenience Outlets
- GFCI Outlets
- NEMA Locking Devices
- Breakers or Fusing
- Blank Plate (for your own customization)

Module 1 Requirement:
Module 2 Requirement:
Module 3 Requirement:
Module 4 Requirement:
Module 5 Requirement:



Please note: Ampere rating and product type may require installation in specific module location. An AMAXX specialist will assist with final selection and design.
Please fax form to 973-882-5585 or email to info@MENNEKES.COM for a quotation or further information.