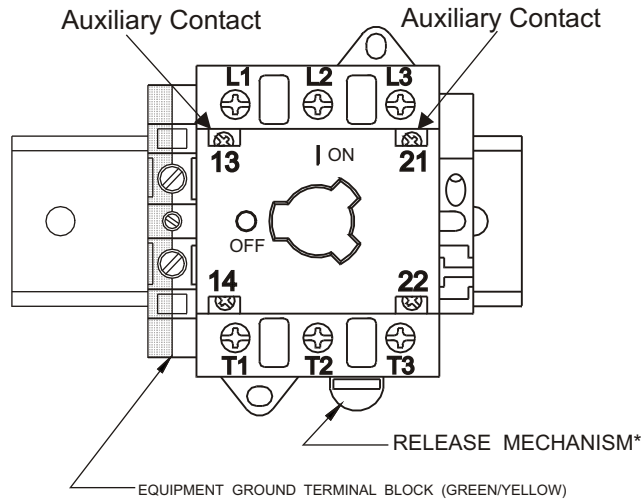
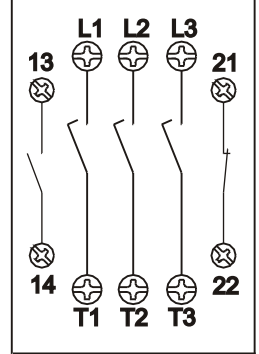


MENNEKES® WIRING DIAGRAM HDI DISCONNECT SWITCHES

**FOR: ME 20MS1A-M2
ME 30MS1A-M2
ME 32MS1A-M2
ME 40MS1A-M2
ME 20MS4A-M2
ME 30MS4A-M2
ME 20MS5A-M2
ME 30MS5A-M2
ME 40MS5A-M2
ME 60MS5A-M2**



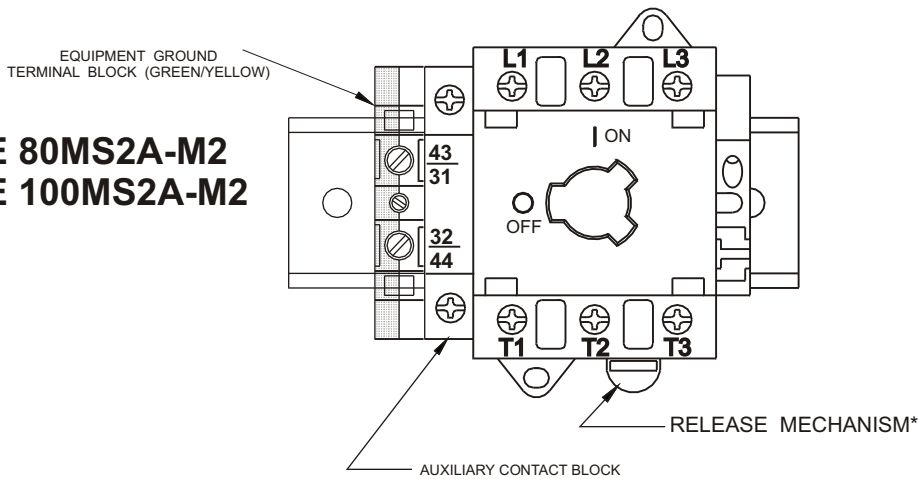
CONTACT ARRANGEMENT



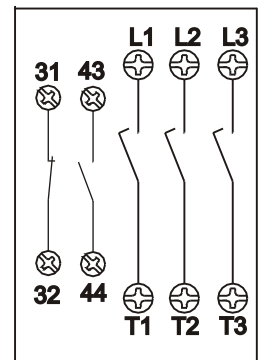
AUXILIARY CONTACTS
Rating: 10A 600Vac
Wiring: 13-14 N/O
21-22 N/C

*If needed - pull down with screwdriver in slot. Tilt upward on load side of switch.

**FOR: ME 80MS2A-M2
ME 100MS2A-M2**



CONTACT ARRANGEMENT



AUXILIARY CONTACTS
Rating: 10A 600Vac
Wiring: 43-44 N/O
31-32 N/C

*If needed - pull down with screwdriver in slot. Tilt upward on load side of switch.

Connection and Grounding

See separate conduit connection and grounding instructions.
Use above wiring diagram.

Terminal Specifications

	25Amp(& 30Amp 10hp)	Torque	30, 40 & 60 Amp	Torque	80 & 100 Amp	Torque
Switch	#10AWG	13-16 lbs./in.	#10 to #6AWG	20-24 lbs./in.	#6 to #2AWG	22-27 lbs./in.
Ground	#12 to #10AWG	20 lbs./in.	#10 to #8AWG	20 lbs./in.	#8 to #6AWG	20 lbs./in.
Auxiliary	#14AWG	4 lbs./in.	#12AWG	7 lbs./in.	#12AWG	7 lbs./in.



MENNEKES® MOUNTING INSTRUCTIONS HDI DISCONNECT SWITCHES

NOTICE:

1. Turn off power feed to switch before installing or servicing.
2. This unit provides no overcurrent protection.
3. Select conductors in accordance with the 75°C column of Ampacity Table 310-16 of the National Electrical Code.

To Remove and Replace Front Cover

Fully loosen screws (Do Not Remove) located in four corners of cover. Pull cover away from bottom of enclosure. To replace cover, reverse above procedure, slight wiggle of cover and switch handle may be needed to position cover. Do not force.

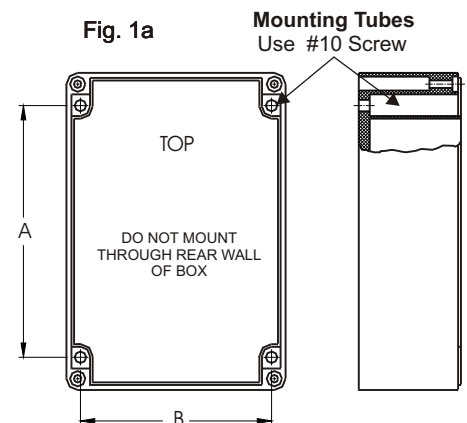
Do not over-torque. Tighten cover screws to 15 in.lb. for MS1A Enclosure & to 25 in.lb for MS2A Enclosure.

Direct Mount Using Mounting Tubes For: MS1A/MS4A Enclosures MS2A/MS5A Enclosures

1. Position Box Upright using ON/OFF as Reference.
2. Drop #10 Screw into each Mounting Tube.
See Fig. 1a Below.
3. Mount Unit on Secure Flat Vertical Surface.
(Hardware not provided)
4. Reinstall Cover.

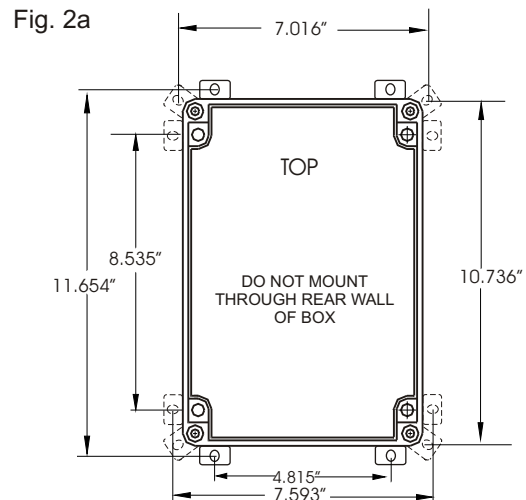
MOUNTING DIMENSIONS		
Enclosure	A	B
MS1A/MS4A	5.26"	4.039"
MS2A/MS5A	8.86"	6.00"

Dimensions +/- 1/32"



Mount with External Mounting Feet For: MS2A/MS5A Enclosures Order KIT ME MS2A-MF

1. Turn Bottom Box Over to Expose Threaded Rivets.
2. Screw Mounting Feet into Corner Rivets.
Position Mounting Feet as Required.
See Fig. 2a.
3. Position Box Upright Using ON/OFF as Reference.
4. Mount Unit to Flat Vertical Surface.
(Hardware not provided)
5. Reinstall Cover.



Mount with External Mounting Feet For: MS1A/MS4A Enclosures Order KIT ME 236MIMF

1. Place Screw (provided in kit) through Mounting Tubes.
See Fig. 3a.
2. Place Mounting Foot Below Hole of Mounting Tube.
Position Horizontally.
3. Tighten Screws 13-17 in. Lb.
4. Position Box Upright using On/Off as Reference.
5. Mount Unit to Flat Vertical Surface.
(Hardware not provided)
6. Reinstall Cover.

Fig. 3a

