

# MENNEKES WIRING DIAGRAM MS DISCONNECT SWITCHES

## Standard Motor Load Direct on Line Rating

	1Ø H.P.			3Ø H.P.		
	120V	240V	480/600V	120V	240V	480/600V
ME20MS-M2	0.5	1.5	3	1.5	3	5
ME30MS-M2	1.5	3	7.5	3	7.5	15
ME40MS-M2	2	5	10	5	10	20

Wire the above Switches per figure 1.  
Switches without aux contacts, wire per figure 2.

## Wiring Diagram

Figure 1

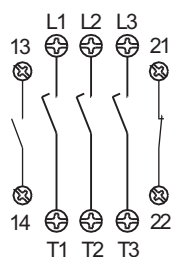
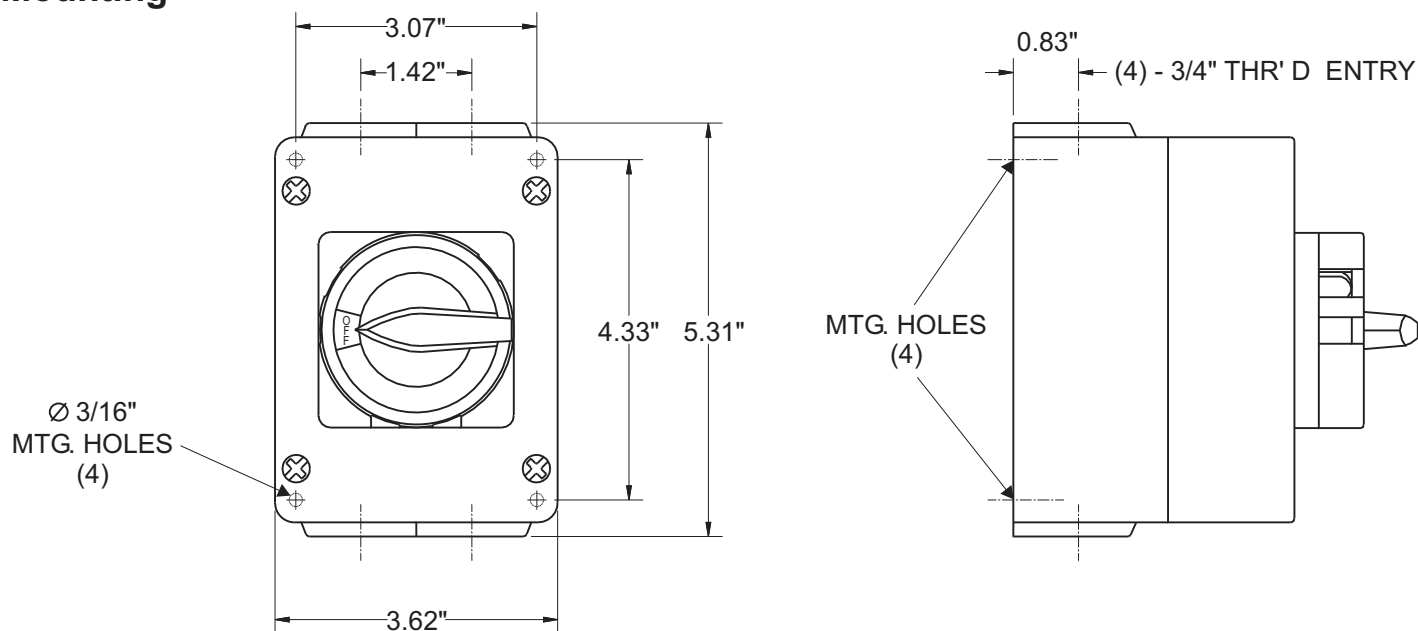


Figure 2



## Mounting



## Auxiliary Contact

Rating: 10A 600V AC  
Wiring: 13 - 14 N/O Contact, 21 - 22 N/C Contact

## Terminal Specifications

	25Amp	Torque	30 & 40 Amp	Torque
Switch	#12 to #10AWG	11 in. lb.	#10 to #8AWG	13-16 in. lb.
Ground	#12 to #10AWG	11 in. lb.	#12 to #10AWG	11 in. lb.
Auxiliary	#14AWG	4 in. lb.	#12AWG	7 in. lb.