

WIRING AND MOUNTING INSTRUCTIONS

SPEC GRADE DISCONNECT SWITCHES – SLP1A MODEL ONLY

NOTICE:

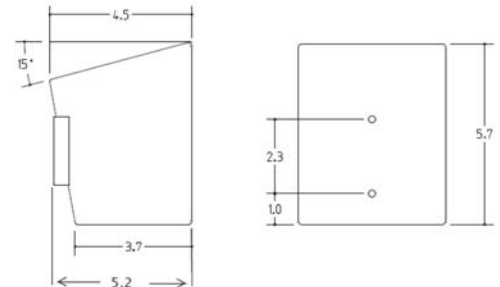
1. Turn off power feed to switch before installing or servicing
2. This unit provides no over current protection
3. Select conductors in accordance with the 75°C column of Ampacity Table 310-16 of the NEC

Remove Front Cover with Mounted Switch Block

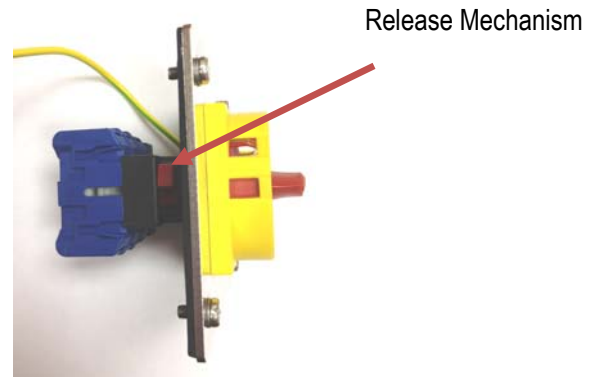
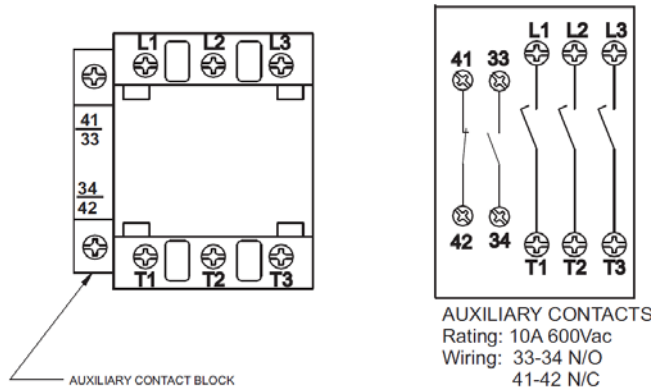
Fully loosen cover screws (Do not Remove) located in four corners of plate. Pull cover away from bottom box; switch block is mounted to handle mechanism on back side of cover plate.

Mounting with Rear Fixing Holes

1. Position Box Upright using Sloped Roof as Top Reference.
2. Locate 2 fixing holes positioned on rear wall of bottom box.
3. Remove NEMA 4X waterseal caps with 3/16" (M5) allen head key.
4. Mount unit on Secure Flat Vertical Surface with #10 countersunk screws. (Consult factory if optional threaded standoffs are preferred for installation – length 1 3/16")
5. Reinstall waterseal caps and tighten 18 lb-in. to maintain UL Type 4X rating.



WIRING DIAGRAM SPEC GRADE DISCONNECT SWITCHES 30SLP1A-M2



- Notes:**
- Switch block can be removed from cover plate to facilitate wiring. Use red release mechanism on switch block and following directional labels on plate assembly to remove & reinstall switch.
 - Provide ample slack in line wiring to allow for removal of switch plate assembly in the future.

To Replace Cover

With switch in OFF position, place cover above bottom box – confirm that all line wiring is within box cavity and no wiring is in between cover and bottom box. Connect cover ground wire to ground stud on bottom box end wall. Tighten cover screws 18 lb – in; Do Not Over Torque.

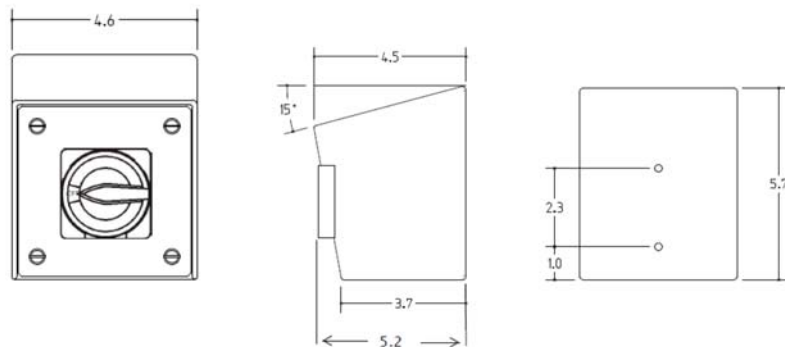
WIRING AND MOUNTING INSTRUCTIONS SPEC GRADE DISCONNECT SWITCHES – SLP1A MODEL ONLY

Terminal Specifications

	30Amp	Torque
Switch	#10 AWG	13-16 lbs./in.
Ground	#12-10 AWG	20 lbs./in.
Auxiliary	#14 AWG	4 lbs./in.

HP Ratings

Catalog No.	AMP	240V		480/600V	
		1 Ø	3Ø	1 Ø	3Ø
ME 30SLP1A-M2	30	2.5	5	5	10



WIRING AND MOUNTING INSTRUCTIONS SPEC GRADE DISCONNECT SWITCHES

NOTICE:

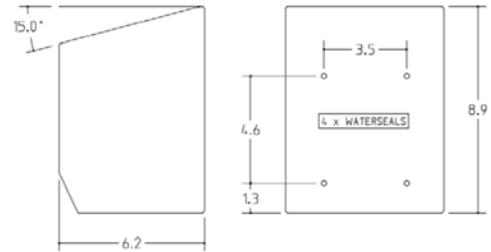
1. Turn off power feed to switch before installing or servicing
2. This unit provides no over current protection
3. Select conductors in accordance with the 75°C column of Ampacity Table 310-16 of the NEC

To Remove and Replace Front Cover

Fully loosen cover screws (Do not Remove) located in four corners of plate. Pull cover away from bottom box. To replace cover* reverse above procedure with operator handle in OFF position. Slight wiggle of cover and switch handle may be needed to position cover. Tighten cover screws 18 lb-in. Do Not Over Torque. (*Before replacing, connect cover ground wire to ground stud positioned on end wall of bottom box.)

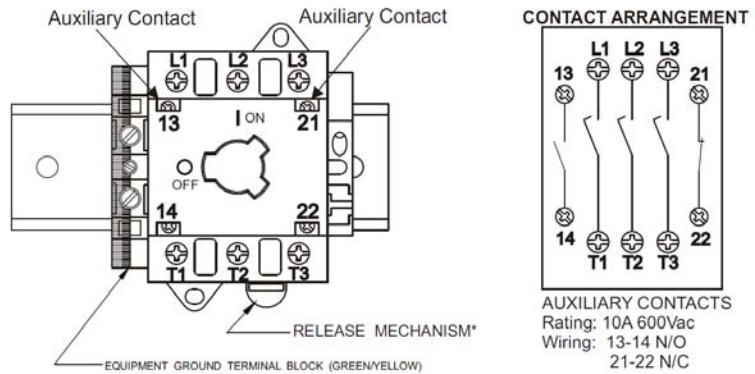
Mounting with Rear Fixing Holes

1. Position Box Upright using ON/OFF as Reference.
2. Locate 4 fixing holes positioned on rear wall of bottom box.
3. Remove NEMA 4X waterseal caps with 3/16" (M5) allen head key.
4. Mount unit on Secure Flat Vertical Surface with #10 countersunk screws. (Consult factory if optional threaded standoffs are preferred for installation – length 1 3/16")
5. Reinstall waterseal caps and tighten 18 lb-in. to maintain UL Type 4X rating.
6. Reinstall cover.



WIRING DIAGRAM SPEC GRADE DISCONNECT SWITCHES

**FOR: ME20SLP2A-M2
ME30SLP2A-M2
ME40SLP2A-M2
ME60SLP2A-M2**



*If needed – pull down with screwdriver in slot. Tilt upward on load side of switch to release.

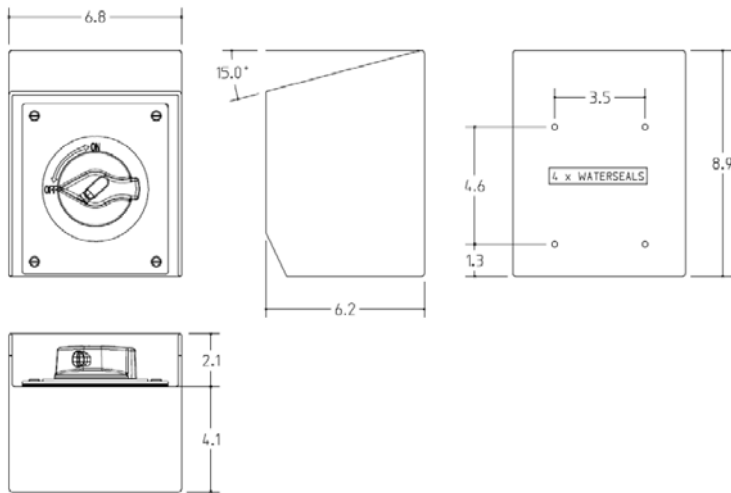
WIRING AND MOUNTING INSTRUCTIONS SPEC GRADE DISCONNECT SWITCHES

Terminal Specifications

	25Amp & 30Amp	Torque	40Amp & 60Amp	Torque
Switch	#10 AWG	13-16 lbs./in.	#8-6 AWG	20-24 lbs./in.
Ground	#12-10 AWG	20 lbs./in.	#10-8 AWG	20 lbs./in.
Auxiliary	#14 AWG	4 lbs./in.	#12 AWG	7 lbs./in.

HP Ratings

Catalog No.	AMP	240V		480/600V	
		1 Ø	3Ø	1 Ø	3Ø
ME 20SLP2A-M2	25	1.5	3	3	5
ME 30SLP2A-M2	30	2.5	5	5	10
ME 40SLP2A-M2	40	3	7.5	7.5	15
ME 60SLP2A-M2	60	5	10	10	20



©2012 MENNEKES ELECTRONICS INC.
SPECIFICATIONS SUBJECT TO CHANGE

 **MENNEKES®**

Plugs for the world

MENNEKES
Electrical Products
277 Fairfield Road
Fairfield, NJ 07004
973-882-8333
www.MENNEKES.com