

The Ultimate in Clean.

For processing areas where sanitation is a concern, MENNEKES® offers the SPEC Grade Series of NEMA 4X Stainless Enclosures. All units feature a 15° sloped roof, which facilitates runoff of liquids and cleaning residue, to minimize risk of contaminant harborage.

SPEC Grade by MENNEKES®

The SPEC Grade series of products is uniquely designed to provide a compact solution for critical washdown and clean room areas. All SPEC Grade products are UL Listed, rated NEMA 4X, and feature a 15° sloped roof for runoff. Enclosures are available in multiple sizes and are sold as blank junction boxes, pre-drilled for pushbutton devices, or with installed receptacles or motor disconnect switches. You can also customize your own power distribution system using our SpecMAXX series.



The SPEC Grade Motor Disconnect Switches are offered in 25A-100A in 6 sizes to provide for flexibility in design and budgets. All models have high visibility padlockable handles which comply with OSHA LO/TO regulations. Switches meet code requirements for “suitable as a motor disconnect” and come standard with early break auxiliary contacts for VFD and starter interface.

SPEC Grade Switched and Interlocked Receptacles are an industry first. Units are available in 20A and 30A IEC 60309 Receptacle Configurations for compatibility with like rated plugs. Receptacle and switch are factory wired; patented interlock mechanism assures “NO LOAD” make and break of plug connected equipment for operator safety.

Create a custom power distribution center in a sloped top stainless enclosure with our SpecMAXX solution. Choose from various receptacles and motor disconnects; add overcurrent protection if needed. With standard and customizable plate options, the possibilities are endless.

SPEC Grade Enclosure Features:

- UL Listed, NEMA 4X; 12
- 15° Sloped roofs to facilitate run-off of liquids
- 304 Stainless Steel with low RA value finish
- Generous drainage channel to impede harborage of contaminants
- Shrouded to minimize damage to cover mounted components
- Generous wiring space facilitates installation
- Sealed fixing holes for flush rear-wall mounting
- Ground stud provided
- Removable cover with captive hardware



Applications:

- Food and beverage manufacturing
- Meat and dairy processing
- Conveyors
- Paper and pulp plants
- Pharmaceutical industry
- Heavy hose-down areas
- Harsh or corrosive environments



SPEC Grade Series - Motor Disconnects



Compliances and Performance:

- "Suitable as Motor Disconnect" per 2002 NEC Article 430-109(a)(6)
- UL Standard 508
- UL to CSA 22.2 No. 14-M95
- Environmental: UL Type 4X; 12
- UV Resistance: Handle Material is UV Stabilized
- In-House Endurance Testing: 10,000 Electrical Cycles/100,000 Mechanical Cycles
- SCCR - 65kA RMS Symmetrical when protected with equally sized Class J Fuse

Ampere Rating (General Purpose)	HP Ratings				Catalog No. (with Aux. Contacts)	Replacement Switch Block
	240V		480/600V			
	1Ø	3Ø	1Ø	3Ø		

Switch Block is Mounted to Cover

30A	2.5	5	5	10	ME 30SLP1A-M2	ME 30XST1-M2
30A	2.5	5	5	10	ME 30SLP1A-M2V2	ME 30XST1-M2

Switch Block is Mounted to DIN Rail

25A	1.5	3	3	5	ME 20SLP2A-M2	ME 20XLP2-M2
30A	2.5	5	5	10	ME 30SLP2A-M2	ME 30XSLP-M2
30A	2.5	5	5	10	ME 30SLP2A-M2V2	ME 30XSLP-M2
40A	3	7.5	7.5	15	ME 40SLP2A-M2	ME 40XSLP-M2
60A	3	10	10	20	ME 60SLP2A-M2	ME 60XSLP-M2
100A	15	25	30	50	ME 100SLP3A-M2	ME 100XSLP-M2
100A	20	40	30	75	ME 100SLP4A-M2	ME 125XMS3-M2

6 Pole Disconnects

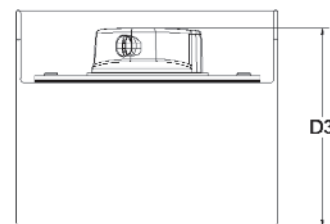
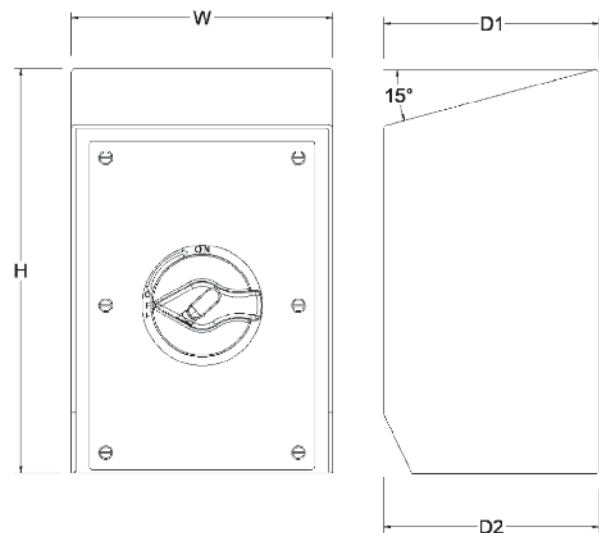
30A	2.5	5	5	10	ME 306SLP2A-M2	
30A	2.5	5	5	10	ME 306SLP3A-M2	

Auxiliary Contacts - 10 A @ 600 Vac 1 N/O & 1 N/C

Optional Mounting Accessory: Stainless Steel Plate with 3/4" Stands-Offs

Approximate Dimensions (in inches)

	Switch Block is Mounted to Cover			Switch Block is Mounted to DIN Rail		
	SLP1A	SLP1A-V2	SLP2A	SLP2A-V2	SLP3A	SLP4A
D1	4.50	4.50	6.20	5.30	6.20	7.10
D2	3.70	3.70	6.20	4.50	6.20	6.30
D3	5.20	5.20	6.00	6.00	6.00	7.75
H	5.70	7.60	8.90	8.00	11.70	14.70
W	4.70	4.70	6.80	6.50	7.50	13.20



Visit www.MENNEKES.com for spec sheets and mechanical drawings.

SPEC Grade Series - Switched and Interlock Receptacles

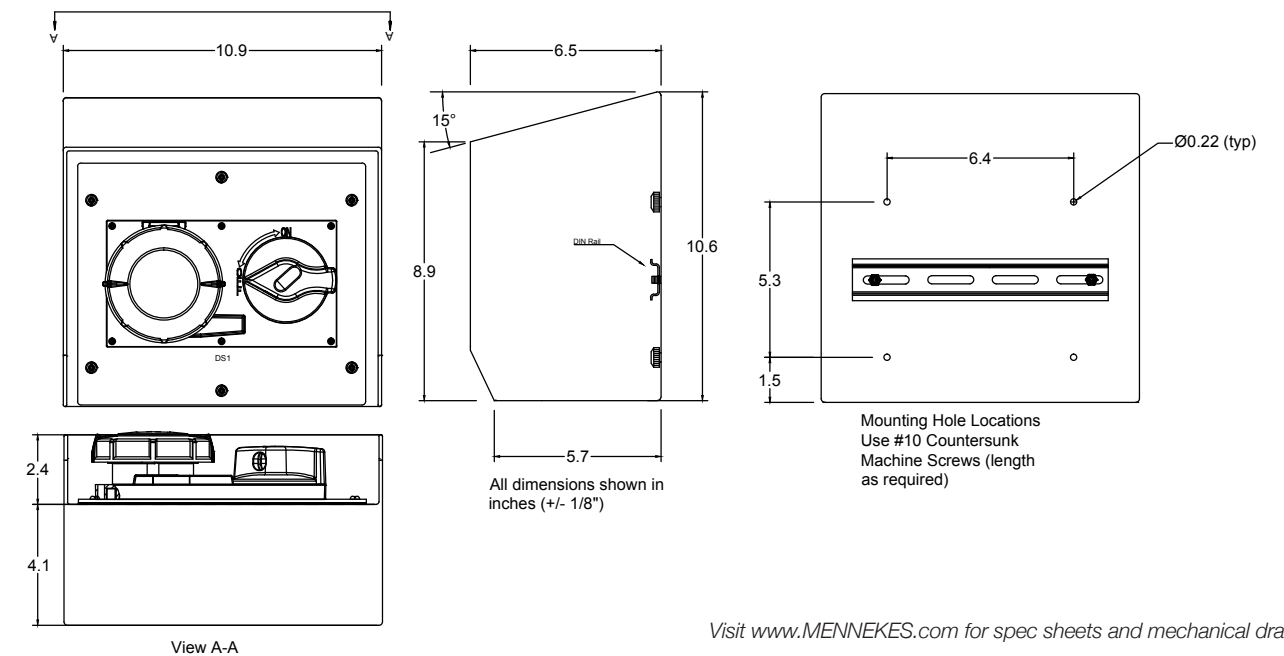


Compliances and Performance:

- UL Standard 508; Industrial Control Equipment
- UL to CSA 22.2 No. 4-M91
- UL Standards 1682; 1686 - Plugs and Receptacles, Pin and Sleeve Style
- IEC 60309-1; IEC 60309-2
- Environmental: UL Type 4X; 12
- SCCR - 65kA RMS Symmetrical when protected with equally sized Class J Fuse
- UL Endurance Test: 10,000 Electrical Cycles, 15,000 Mechanical Cycles

Amp	Configuration	Voltage	HP Rating Standard	Receptacle Catalog No.	Mating Plug Catalog No.	
20A	2 Pole, 3 Wire	125	0.75	ME 320SLPMI4	ME 320P4W	
		250	1.5	ME 320SLPMI6	ME 320P6W	
		3 Pole, 4 Wire	125/250	0.75; 1.5	ME 420SLPMI12	ME 420P12W
			3Ø250	3	ME 420SLPMI9	ME 420P9W
	3Ø480		7.5	ME 420SLPMI7	ME 420P7W	
	4 Pole, 5 Wire	3ØY120/208	3	ME 520SLPMI9	ME 520P9W	
		3ØY277/480	7.5	ME 520SLPMI7	ME 520P7W	
		3ØY347/600	7.5	ME 520SLPMI5	ME 520P5W	
			7.5	ME 520SLPMI5	ME 520P5W	
	30A	2 Pole, 3 Wire	125	1.5	ME 330SLPMI4	ME 330P4W
			250	3	ME 330SLPMI6	ME 330P6W
		3 Pole, 4 Wire	125/250	1.5; 3	ME 430SLPMI12	ME 430P12W
3Ø250			7.5	ME 430SLPMI9	ME 430P9W	
3Ø480			15	ME 430SLPMI7	ME 430P7W	
3Ø600			15	ME 430SLPMI5	ME 430P5W	
4 Pole, 5 Wire		380-440	10	ME 432SLPMI3	ME 432P3W-2175	
		3ØY120/208	7.5	ME 530SLPMI9	ME 530P9W	
			3ØY277/480	15	ME 530SLPMI7	ME 530P7W
			3ØY347/600	15	ME 530SLPMI5	ME 530P5W

Optional Mounting Accessory: Stainless Steel Plate with 3/4" Stands-Offs



Visit www.MENNEKES.com for spec sheets and mechanical drawings.

SpecMAXX Series Custom Power Distribution



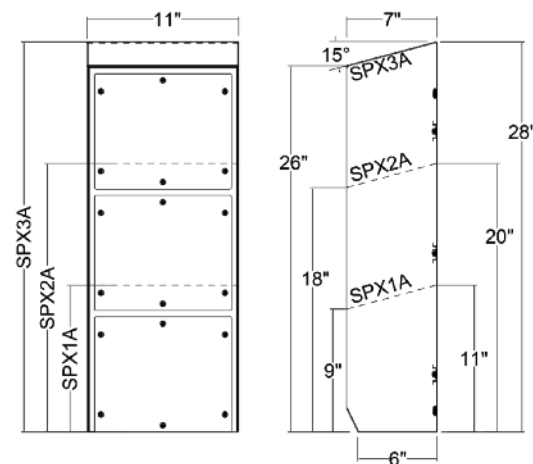
Choose from 3 enclosure sizes and unlimited combinations of devices. Many components are in-stock and ready to ship. Below are some standard configurations or contact us with your requirements and we will design and quote a unit made to order.

Compliances and Features of Enclosures

- UL Listed Standards 50 & 50E; CSA 22.2 No. 94
- 304 Stainless Steel; NEMA 4X; 12
- One Piece Punched Gasket
- Sealed Fixing Holes
- 15° Sloped roofs to facilitate run-off of liquids
- Generous drainage channel
- Shrouded design minimizes component damage

With SpecMAXX, the possibilities are endless.

Catalog Number	Module 1	Module 2	Module 3
SPX1A-619006	2 x 30A 600V 10HP Motor Disconnect Switches		
SPX1A-619014	1 x NEMA L16-30R 30A 4W 480V Type 4X Receptacle 1 x 30A 600V 10HP Motor Disconnect Switch		
SPX1A-619018	2 x NEMA 5-20R 20A 3W 120V Duplex Receptacles with WP Covers		
SPX2A-629006	1 x 420PMI7 20A 4W 480V Switched and Interlocked Receptacle	1 x 420PMI7 20A 4W 480V Switched and Interlocked Receptacle	
SPX2A-629007	2 x 30A 600V 10HP Motor Disconnect Switches	2 x 30A 600V 10HP Motor Disconnect Switches	
SPX2A-629018	1 x 40A 600V 15HP Motor Disconnect Switch; 1 x 60A 600V 20HP Disconnect Switch	2 x 30A 600V 10HP Motor Disconnect Switches	
SPX3A-639008	Window Module with Access to 2 x 30A 3P 480V MCB's	1 x 430PMI7 30A 4W 480V Switched and Interlocked Receptacle	1 x 430PMI7 30A 4W 480V Switched and Interlocked Receptacle
SPX3A-639011	1 x 430PMI7 30A 4W 480V Switched and Interlocked Receptacle	1 x 430PMI7 30A 4W 480V Switched and Interlocked Receptacle	1 x 430PMI7 30A 4W 480V Switched and Interlocked Receptacle
SPX3A-639012	2 x 60A 600V 20HP Motor Disconnect Switches	2 x 30A 600V 20HP Motor Disconnect Switches	2 x 30A 600V 20HP Motor Disconnect Switches



Device Options

Switched and Interlocked Receptacles

- Pin & Sleeve Style, 20A & 30A in multiple voltages

Motor Disconnects

- 25A – 60A; rated 5-20HP

Overcurrent Protection

- Hinged access to circuit breakers or fusing

Various Receptacles

- Choose from Pin and Sleeve, NEMA, or GFCI options

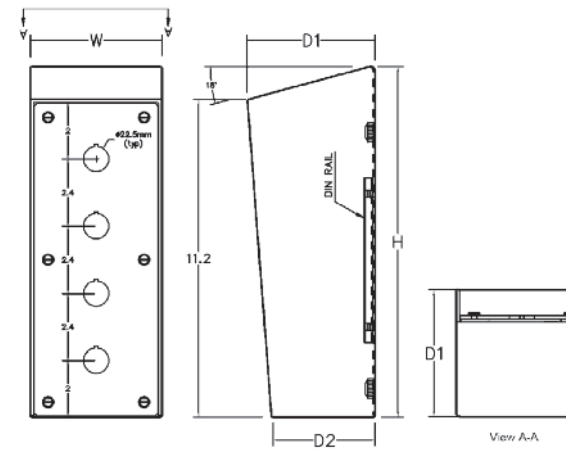
Visit www.MENNEKES.com for spec sheets and mechanical drawings.

Pushbutton Enclosures



Compliances and Performance:

- UL Listed to UL 50/50E - CSA 22.2 No. 94
- Type 4X, 12, 3R and IP69K



Number of Holes	Hole Size (mm)	Catalog Number
1	22.5	SLPB1A
1	30.5	SLPB1A-30.5
2	22.5	SLPB2A
2	30.5	SLPB2A-30.5
3	22.5	SLPB3A
3	30.5	SLPB3A-30.5
4	22.5	SLPB4A
4	30.5	SLPB4A-30.5

Optional Mounting Accessory: Stainless Steel Plate with 3/4" Stands-Offs

Approximate Dimensions (in inches)

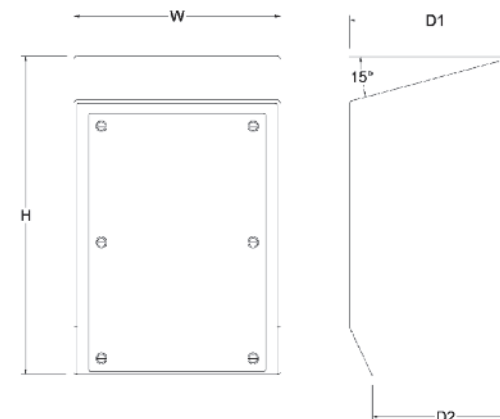
	Catalog No.			
	SLPB1A	SLPB2A	SLPB3A	SLPB4A
D1	4.50	4.50	4.50	4.50
D2	3.70	3.70	3.70	3.70
H	5.70	7.60	10.00	12.30
W	4.70	4.70	4.70	4.70
#PB HOLES	1	2	3	4

Blank Junction Boxes



Compliances and Performance:

- UL Listed to UL 50/50E - CSA 22.2 No. 94
- Type 4X, 12, 3R and IP69K



Size	Catalog Number
Small	SLP1A-BLK
Medium	SLP2AV2-BLK
Large	SLP3A-BLK
Horizontal	SLPMI-BLK

Approximate Dimensions (in inches)

	Catalog No.			
	SLP1A-BLK	SLP2AV2-BLK	SLP3A-BLK	SLPMI-BLK
D1	4.50	5.30	6.20	6.50
D2	3.70	4.40	5.40	5.70
H	5.70	8.00	11.70	10.60
W	4.70	6.40	7.50	10.90



Visit www.MENNEKES.com for spec sheets and mechanical drawings.



Plugs for the world

Mennekes
electrical Products
277 Fairfield Road
Fairfield, NJ 07004

Tel: (800) 882-7584
Fax: (973) 882-5585
Email: info@MENNEKES.com
Internet: www.MENNEKES.com



www.MENNEKES.com