

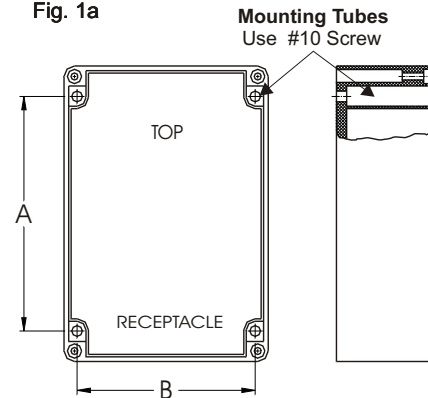
Mounting Instructions

30A & 60A Fused Interlocked Recptacles

Direct Mount Using Mount Tubes (Requires removal of Hinged Cover)

1. Cover is hinged in bottom mounting tubes.
2. Loosen 4 cover screws- do not remove screws.
3. Pull cover from top and swing down to 90° opening.
4. Position hands on cover near hinge extensions and pull directly away from bottom of box- you will experience some resistance before the hinge extension is released from the tube area.
5. Access to 4 mounting tubes is now provided.
6. Secure conduit hub onto the conduit and secure to bottom box. Drill hub entry using desired starter dimple located on bottom or top end of box.
7. Mount unit upright on secure flat vertical surface
8. Drop #10 Screw into each mounting tube, see Fig. 1a. (Hardware not provided)
9. Wire switch, ground and install fuses according to label guidelines found inside unit.
10. Reinstall hinged cover. See Below.

Fig. 1a

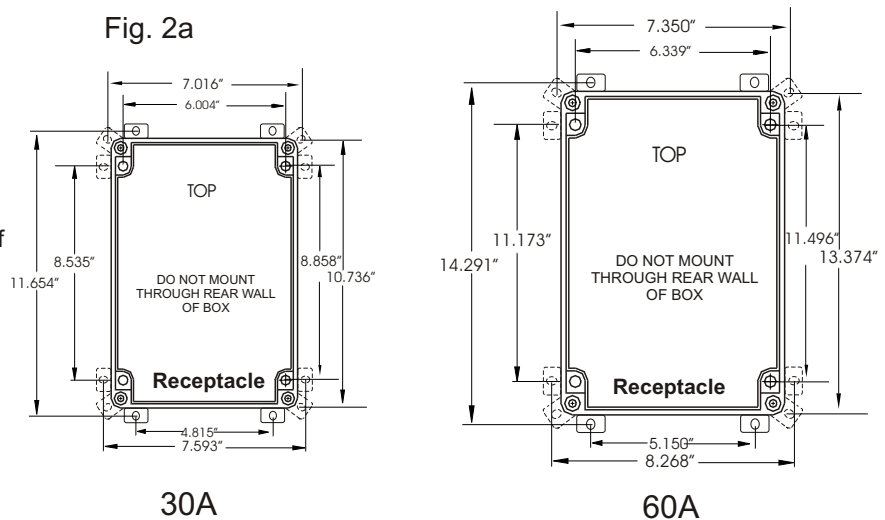


| | A | B |
|-----|---------|--------|
| 30A | 8.858" | 6.004" |
| 60A | 11.496" | 6.339" |

Mount with External Mounting Feet (Kit Provided)

1. Turn bottom box over to expose threaded rivets.
2. Screw mounting feet into corner rivets and position mounting feet as Required. See Fig. 2a.
3. Open cover by loosening four corner screws-do not remove.
4. Pull cover from top and swing down to 90° opening.
5. Secure hub to bottom box. Drill hub entry using desired "starter dimple" located on bottom or top end of box.
6. Mount unit upright on secure flat vertical surface
7. Wire switch, ground and install fuses according to label guidelines found inside unit.
8. Swing cover UP to closed position- Handle must be in "OFF" position and aligned to switch.
9. Tighten cover screws 25 lb.-in.

Fig. 2a



Hinged Cover Installation

1. Position Cover so "ON" is in Top Position.
2. Align Radius (Curved) Side of Both Brass Extension Pieces to Radius (Curved) side of Mounting Tubes.
3. Push Extension Pieces into Tube, Approx. 1". Extensions will Snap into Place
4. Handle Must be in "OFF" Position and Aligned to Switch. Tighten Cover Screws 25 lb.-in.