

Performance

Electrical

Dielectric Voltage	Withstands 3,000 VAC Min.
Max. Working Voltage	250VDC/600VAC
Max. Short Circuit Rating	– Fusible MSR; 100,000 RMS Symmetrical Amperes w/fuses – Non-Fusible MSR; 10,000 RMS Symmetrical Amperes
Operations (min)	– Fusible; 6,000 Electrical 20,000 Mechanical – Non-Fusible; 10,000 Electrical 100,000 Mechanical
Fuse Type(s) (not provided)	30A & 60A – Type J 30A – Type CC Option Available

Mechanical

Impact Resistance	Per UL 746C
Terminal Identification	Per UL/CSA and Accepted International Conventions
Product Ratings	– Identification & General Rating on External Label – HP Ratings per Operating Voltages on Internal Label
Mounting	Moveable Mounting Feet or Use of Corner Mounting Tubes

Environmental

Moisture Resistance	Type 4X (Watertight, Washdown) per UL 50 Type 12K (Dusttight, Falling Dirt) per UL 50
International Rating	IP66 Suitability, per IEC 60529
Flammability	UL94-5V0 and V0 Classification
Operating Temperatures	Max. Continuous: +60° C Min. Continuous: -40° C without impact
UV Resistance	Enclosure & Handle Materials are UV Stabilized

MSR Replacement Parts

Description	Fusible	Non-Fusible
30A Replacement Switch	ME30MIFX	ME30MIX
60A Replacement Switch	ME60MIFX	ME60MIX
30A Cover Assembly	ME3430MIFRC2W	ME3430MIRC2W
60A Cover Assembly	ME3460MIFRC2W	ME3460MIRC2W
30A Chain Cover for Receptacle	MEPTTC30	MEPTTC30
60A Chain Cover for Receptacle	MEPTTC60	MEPTTC60
30A Threaded Cover Ring	ME3430MI2SSR	ME3430MI2SSR
60A Threaded Cover Ring	ME3460MI2SSR	ME3460MI2SSR
30A Contact Carrier - 3W 4P	MEARI3034	MEARI3034
60A Contact Carrier - 3W 4P	MEARI6034	MEARI6034

LockOUT-LET MSR Series Non-Metallic Interlocked Receptacles



To see our complete line of products, log onto: www.MENNEKES.com



Call (800) 882-7584 to request our catalog.



MENNEKES Electrical Products
277 Fairfield Road
Fairfield, NJ 07004
(800) 882-7584

www.MENNEKES.com

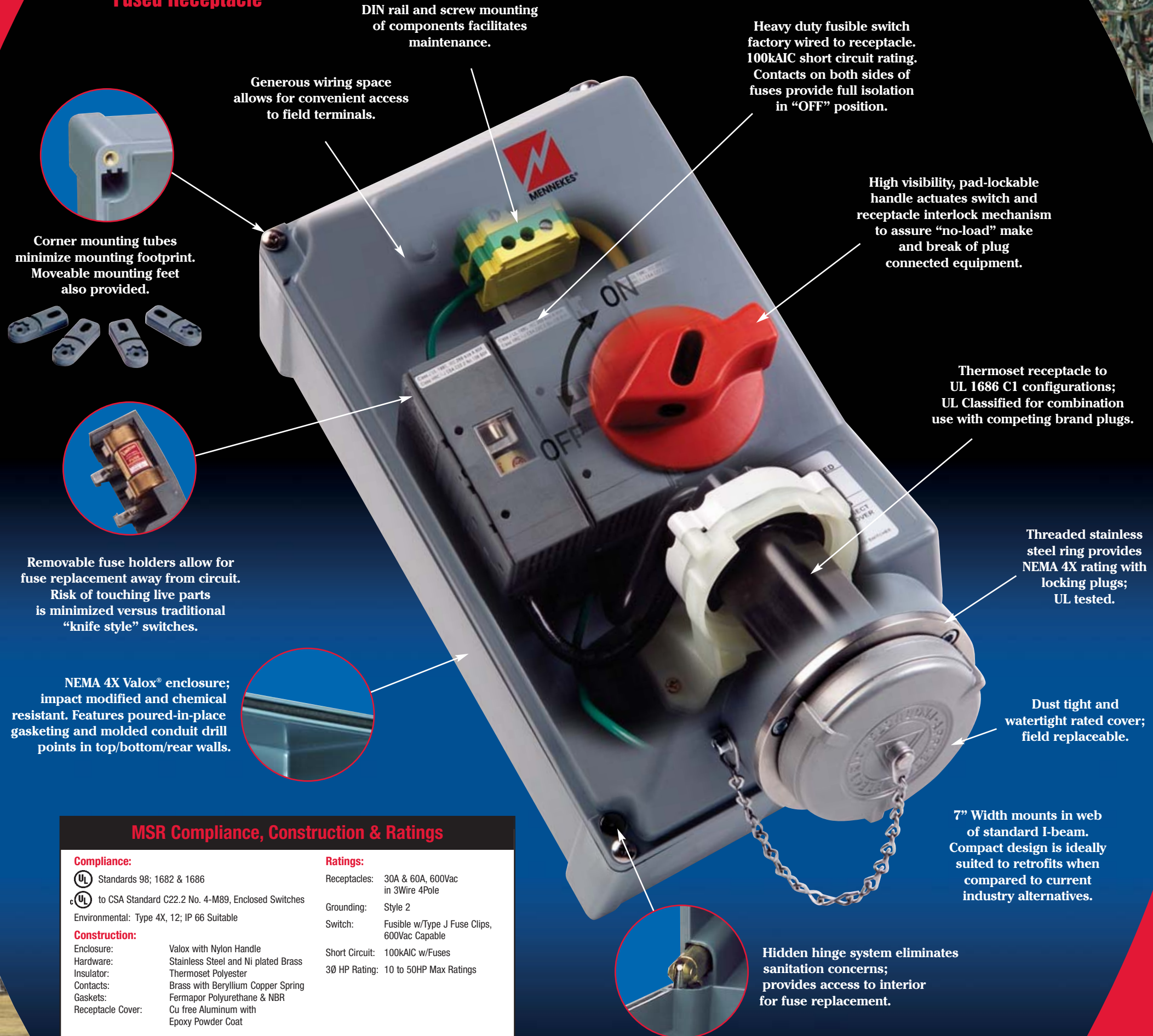
© 2006 MENNEKES Electronics, Inc. ME 1854 6/06
Valox is a registered trademark of GE Company.

www.MENNEKES.com

MSR Series Interlocked Receptacles

MENNEKES® MSR Series Switched and Interlocked Receptacles incorporate an interlocking receptacle and disconnect switch in one non-metallic NEMA 4X; 12 enclosure. Units are available both fused and non-fused to meet your application requirements. The patented interlock mechanism prohibits the switch from being turned "ON" unless the plug is fully inserted. The plug cannot be removed unless the unit is turned "OFF".

Fused Receptacle



DIN rail and screw mounting of components facilitates maintenance.

Heavy duty fusible switch factory wired to receptacle. 100kAIC short circuit rating. Contacts on both sides of fuses provide full isolation in "OFF" position.

High visibility, pad-lockable handle actuates switch and receptacle interlock mechanism to assure "no-load" make and break of plug connected equipment.

Thermoset receptacle to UL 1686 C1 configurations; UL Classified for combination use with competing brand plugs.

Threaded stainless steel ring provides NEMA 4X rating with locking plugs; UL tested.

Dust tight and watertight rated cover; field replaceable.

7" Width mounts in web of standard I-beam. Compact design is ideally suited to retrofits when compared to current industry alternatives.

Hidden hinge system eliminates sanitation concerns; provides access to interior for fuse replacement.

Generous wiring space allows for convenient access to field terminals.

Corner mounting tubes minimize mounting footprint. Moveable mounting feet also provided.



Removable fuse holders allow for fuse replacement away from circuit. Risk of touching live parts is minimized versus traditional "knife style" switches.

NEMA 4X Valox® enclosure; impact modified and chemical resistant. Features poured-in-place gasketing and molded conduit drill points in top/bottom/rear walls.

The MSR Series Receptacles comply with UL Standard 1686 C1 configurations assuring interchangeability with other manufacturers. Units meet OSHA requirements for lockout/tagout (Reg. 1910.147) and prevent arc-flash.

MENNEKES Interlocked Receptacles operate in harsh environments and facilitate operator safety when providing power to welders, pumps, break-out packaging equipment and various other uses.

MSR Compliance, Construction & Ratings

Compliance:

UL Standards 98; 1682 & 1686
 cUL to CSA Standard C22.2 No. 4-M89, Enclosed Switches
 Environmental: Type 4X, 12; IP 66 Suitable

Construction:

Enclosure: Valox with Nylon Handle
 Hardware: Stainless Steel and Ni plated Brass
 Insulator: Thermoset Polyester
 Contacts: Brass with Beryllium Copper Spring
 Gaskets: Fermapor Polyurethane & NBR
 Receptacle Cover: Cu free Aluminum with Epoxy Powder Coat

Ratings:

Receptacles: 30A & 60A, 600Vac in 3Wire 4Pole
 Grounding: Style 2
 Switch: Fusible w/Type J Fuse Clips, 600Vac Capable
 Short Circuit: 100kAIC w/Fuses
 3Ø HP Rating: 10 to 50HP Max Ratings



MSR Series Interlocked Receptacles

MENNEKES® MSR Series Switched and Interlocked Receptacles incorporate an interlocking receptacle and disconnect switch in one non-metallic NEMA 4X; 12 enclosure. Units are available both fused and non-fused to meet your application requirements. The patented interlock mechanism prohibits the switch from being turned “ON” unless the plug is fully inserted. The plug cannot be removed unless the unit is turned “OFF”.

Non-Fused Receptacle

Generous wiring space facilitates field installation.

Heavy duty HP rated switch provides convenient access to field wiring terminals.

Corner mounting tubes minimize mounting footprint. Moveable mounting feet also provided.



Impact modified NEMA 4X Valox enclosure resistant to harsh environments. Features poured-in-place gasket for the ultimate seal.

DIN rail and screw mounting of components allow for ease of maintenance.

Factory wired, switch to receptacle.

High visibility, pad-lockable handle actuates switch and receptacle interlock mechanism to assure “no-load” make and break of plug connected equipment.

Thermoset receptacle to UL 1686 C1 configurations; UL Classified for combination use with competing brand plugs.

Threaded stainless steel ring provides NEMA 4X rating with locking plugs.

Dust tight and watertight rated cover; field replaceable.

Hidden hinge system eliminates sanitation concerns.

MSR Compliance, Construction & Ratings

Compliance:

UL Standards 508; 1682 & 1686
 UL to CSA Standard C22.2 No. 14-M95
 Environmental: Type 4X, 12; IP 66 Suitable

Construction:

Enclosure: Valox with Nylon Handle
 Hardware: Stainless Steel and Ni plated Brass
 Insulator: Thermoset Polyester
 Contacts: Brass with Beryllium Copper Spring
 Gaskets: Fermapor Polyurethane & NBR
 Receptacle Cover: Cu free Aluminum with Epoxy Powder Coat

Ratings:

Receptacles: 30A & 60A, 600Vac in 3Wire 4Pole
 Grounding: Style 2
 Switch: Heavy Duty, 600Vac Capable
 Short Circuit: 10KAIC min. rating with RK1 Fuses
 3Ph HP Rating: 5 to 50HP



The MSR Series Receptacles comply with UL Standard 1686 C1 configurations assuring interchangeability with other manufacturers. Units meet OSHA requirements for lockout/tagout (Reg. 1910.147) and prevent arc-flash.

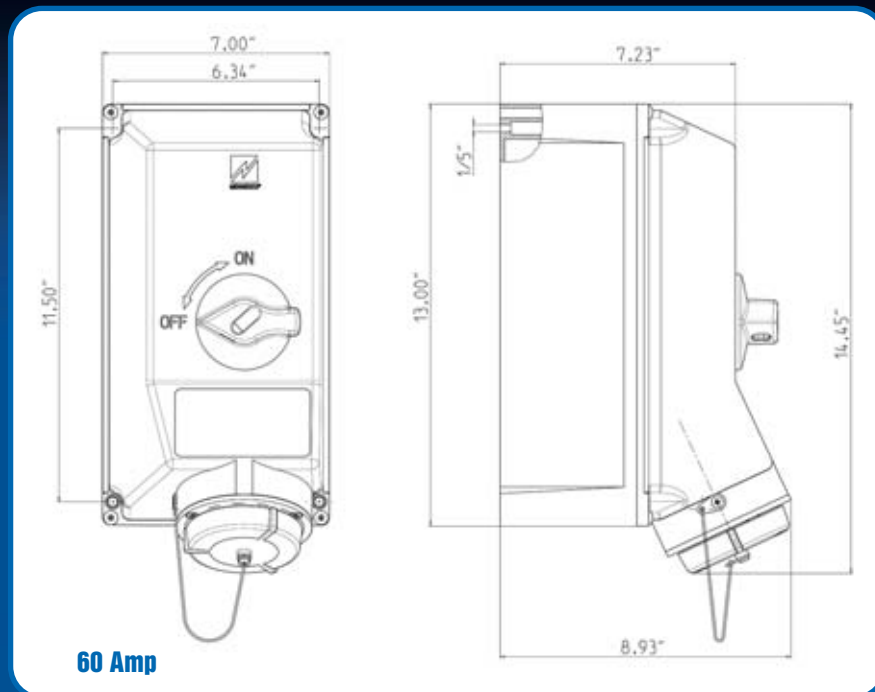
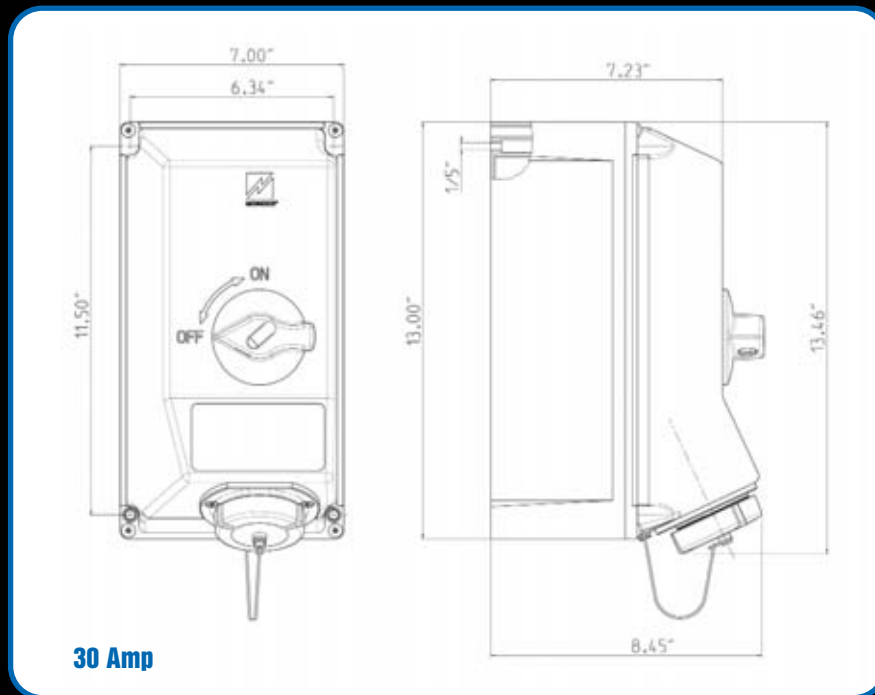
MENNEKES Interlocked Receptacles operate in harsh environments and facilitate operator safety when providing power to welders, pumps, break-out packaging equipment and various other uses.



MSR Series Interlocked Receptacles

MENNEKES® MSR Series Switched and Interlocked Receptacles incorporate an interlocking receptacle and disconnect switch in one non-metallic NEMA 4X; 12 enclosure. Units are available both fused and non-fused to meet your application requirements. The patented interlock mechanism prohibits the switch from being turned “ON” unless the plug is fully inserted. The plug cannot be removed unless the unit is turned “OFF”.

Dimensions



Max HP Ratings							
Amp	Type	Single Phase (Volts)		Three Phase (Volts)			
		120	240	208	240	480	600
30	Fused	2	3	7.5	7.5	15	20
30	Non-Fused	2	5	10	10	20	20
60	Fused	-	7.5	15	15	30	50
60	Non-Fused	3	10	20	20	40	50

30 Amp



60 Amp



Ordering Information:

Fused & Non-Fused Interlocked Receptacles

Amps	Type	Poles/Wires	Voltage	Catalog Numbers	Mating Plug Catalog Numbers
30A	Fused	3W 4P	600VAC	MSR430MIFS2W	ME3034BC
30A	Non-Fused	3W 4P	600VAC	MSR430MIS2W	ME3034BC
60A	Fused	3W 4P	600VAC	MSR460MIFS2W	ME6034BC
60A	Non-Fused	3W 4P	600VAC	MSR460MIS2W	ME6034BC

Optional Auxiliary Contacts

Amps	Fusible Catalog Number	Non-Fusible Catalog Number
30A	ME30FDAUX 1 N/O; 1 N/C	ME30AUX 1 N/O, 1 N/C
60A	ME60FDAUX-0 1 N/O	ME80AUX 1 N/O; 1 N/C
60A	ME60FDAUX-C 1N/C	N/A

The MSR Series Receptacles comply with UL Standard 1686 C1 configurations assuring interchangeability with other manufacturers. Units meet OSHA requirements for lockout/tagout (Reg. 1910.147) and prevent arc-flash.

MENNEKES Interlocked Receptacles operate in harsh environments and facilitate operator safety when providing power to welders, pumps, break-out packaging equipment and various other uses.

